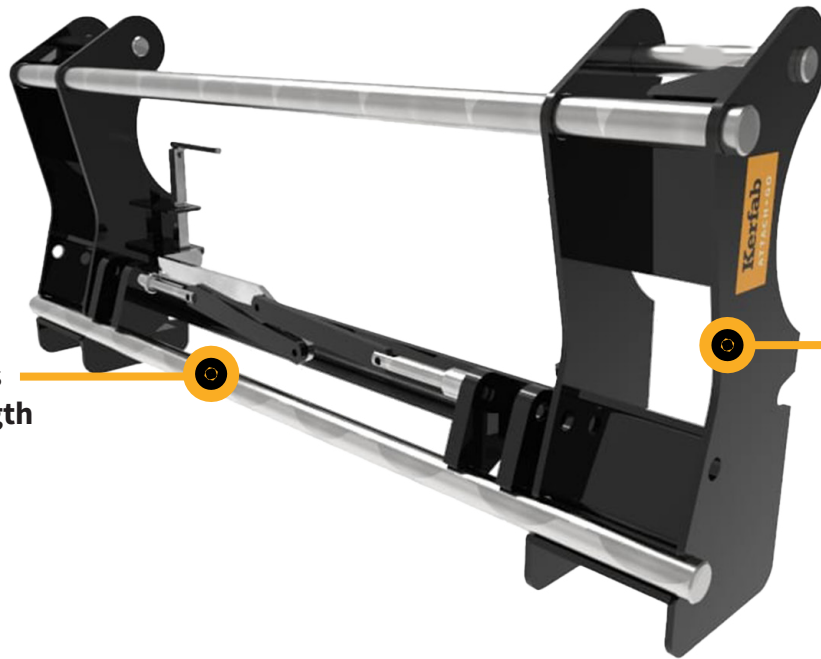


Ag Loader Adaptor



39mm thick steel bars offer **excellent strength and durability** when working in harsh environments.

Manufactured from high-quality **GR350 steel** for guaranteed longevity.

Fast Facts

- + 24 Months Manufacturers Warranty
- + Built to suit most Ag Loaders and Tractors
- + Save Time and Money

About

- + Having a Kerfab Ag Loader Adaptor ensures the best use of your machine, especially on sites where equipment will be required to perform various tasks.
- + The hitch connection can be operated from the seat of the machine by using the bucket tilt function and lift and lower of the arms.
- + Available in a range of ratings between 500kg to 2,500kg, to suit various applications.
- + Makes your machine compatible with a different brand of attachment.
- + Australian designed and made.

Product Specifications

Hydraulic Locking Pin

No

Manual Locking Pin

Yes

Demountable

Yes

Rating Range

500kg - 2,500kg

Compatible With

Ag Loaders and tractors