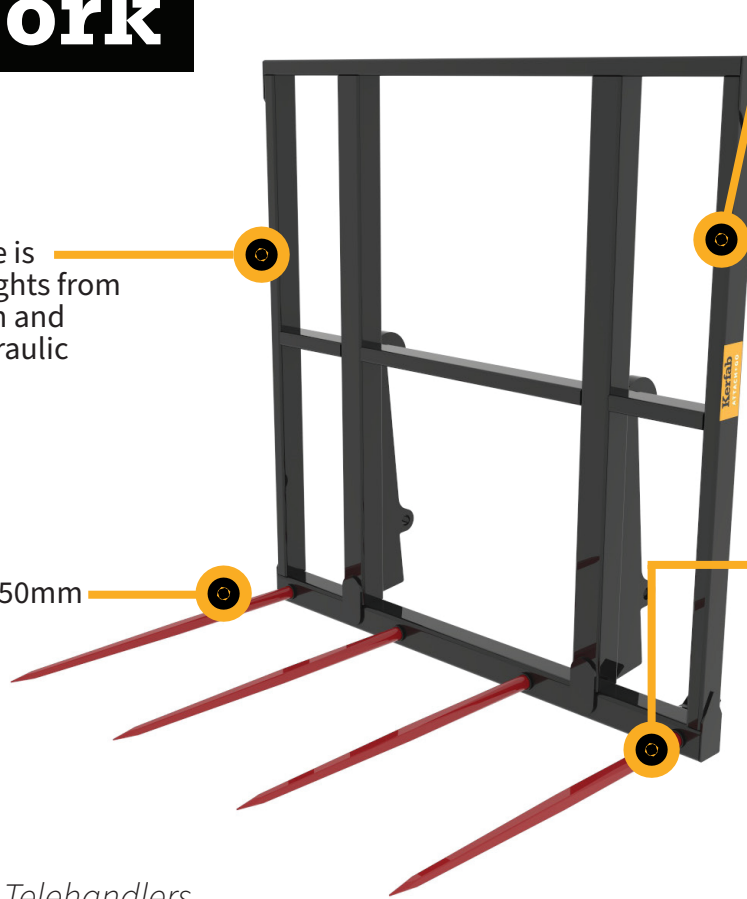


Telehandler Square

Bale Fork



The adjustable back frame is available in a range of heights from 1.5m - 2.4m or 1.8m - 2.7m and has both manual and hydraulic adjustment options.

German Made SHW 250mm Conus 2 Tines

Various back frame 1.8m to 3m, and an heights ranging from optional adjustable back frame

Bright red tines for increased visibility and improved safety

Fast Facts

- + Designed for Telehandlers
- + Australian Made
- + 12 Month Manufacturers Warranty

About

- + The Square Bale Fork allows for easy and safe handling of individual or multiple round or square bales, this makes stacking a quick and simple job.
- + Bale forks available in 2/3/4/5 spear models as well as custom sizes/capacities
- + Kerfab's range of hay forks have been designed to maximise visibility for increased safety
- + We can custom build and customise existing designs to better suit your needs and your machine.

Optional Extras:

- + 2100mm Back Frame (7')
- + 2400mm Back Frame (8')
- + 2700mm Back Frame (9')
- + 3000mm Back Frame (10')
- + Adjustable Back Frame

Product Specs

Part No.	Tines	Bushes	Back Frame Height	Weight
TSHF3T	3	3	1800mm	310kg
TSHF4T	4	4	1800mm	320kg
TSHF5T	5	5	1800mm	330kg

Adjustable Frame Heights

Adjustment Option	Retracted Height	Extended Height
Manual	1500mm (5')	2400mm (8')
Manual	1800mm (6')	2700mm (9')
Hydraulic	1500mm (5')	2400mm (8')
Hydraulic	1800mm (6')	2700mm (9')