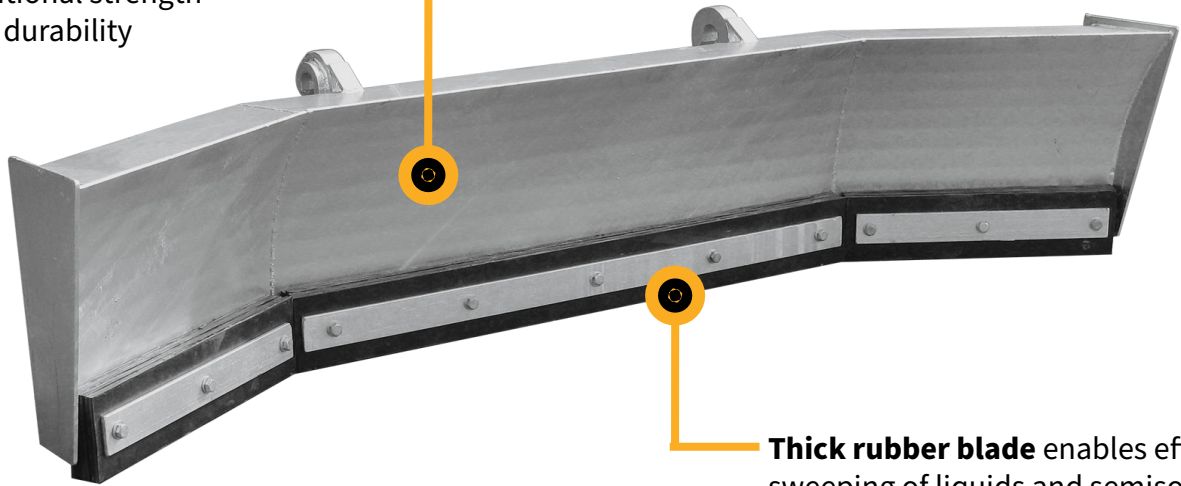


# Muck Scraper

**Galvanised finish** for additional strength and durability



**Thick rubber blade** enables efficient sweeping of liquids and semisolids on uneven surfaces.

## Fast Facts

- + 24 Month Manufacturers Warranty
- + Increased Hygiene
- + Made in Australia

## About

- + The Muck Scraper is a heavy-duty attachment designed to efficiently shift manure and muck with minimal effort.
- + Clears farmyards, stables and sheds of snowfall, effluent, waste or hosing runoff to protect the well-being of stock.
- + Maintains hygiene and prevents odour for compliance with EPA and WH&S standards.
- + Accommodates push and pull operation (fully reversible) with smooth transitioning between both processes.
- + Compatible with ag loaders and telehandlers

## Product Specs

Part Number	Width mm	Height mm
UBL.HR27	2700	530