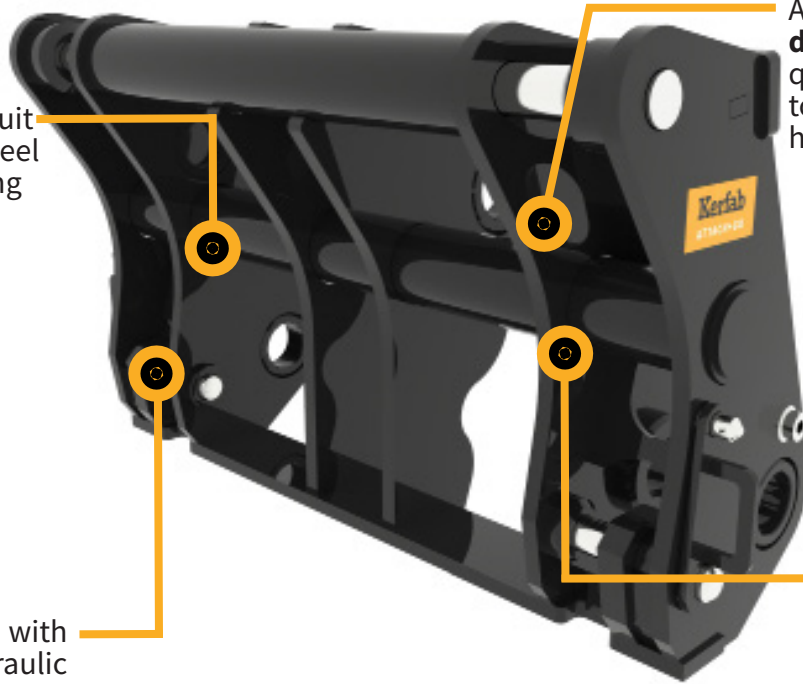


Wheel Loader Quick Hitch



Can be manufactured to suit either **Z Bar** or **IT type** wheel loaders up to 30T operating weight.

Can be manufactured with either manual or hydraulic locking pins as options

An Additional **3rd function diverter valve kit** for the quick hitch is available to enable the use of hydraulic attachments.

Built to Kerfab's stringent product quality standards. Our Quick Hitches are built to **AS-4772-2008**.

Fast Facts

- + Built to suit a range of loaders from 6 - 35 Ton
- + Australian Made and Designed
- + Cost effective with high ROI
- + SWL range from 2,000kg to 10,000kg

Applications

- + Used across a range of industries to **increase efficiency** and **maximise machine utilisation**
- + The Quick Hitch allows multiple attachments to be fitted to a front end loader.
- + Operators can **quickly swap between attachments**, transforming the machine into a multipurpose tool

Attachment Brackets Available

- | | |
|--------------|----------------|
| + Case | + Komatsu |
| + Cat IT | + Liebherr |
| + Doosan | + Liugong |
| + Hitachi | + SDLG 936/938 |
| + JCB | + SDLG 958 |
| + John Deere | + Volvo |

Product Specs

Operating Weight	Manual Quick Hitch	Hydraulic Pin Lock Hitch	Additional Third Function Available
6-7 Ton	✓	✓	✓
8-9 Ton	✓	✓	✓
10-11 Ton	✓	✓	✓
12-14 Ton	✓	✓	✓
15-17 Ton	✓	✓	✓
18-19 Ton	n/a	✓	✓
20-25 Ton	n/a	✓	✓
25-30 Ton	n/a	✓	✓
30-35 Ton	n/a	✓	✓