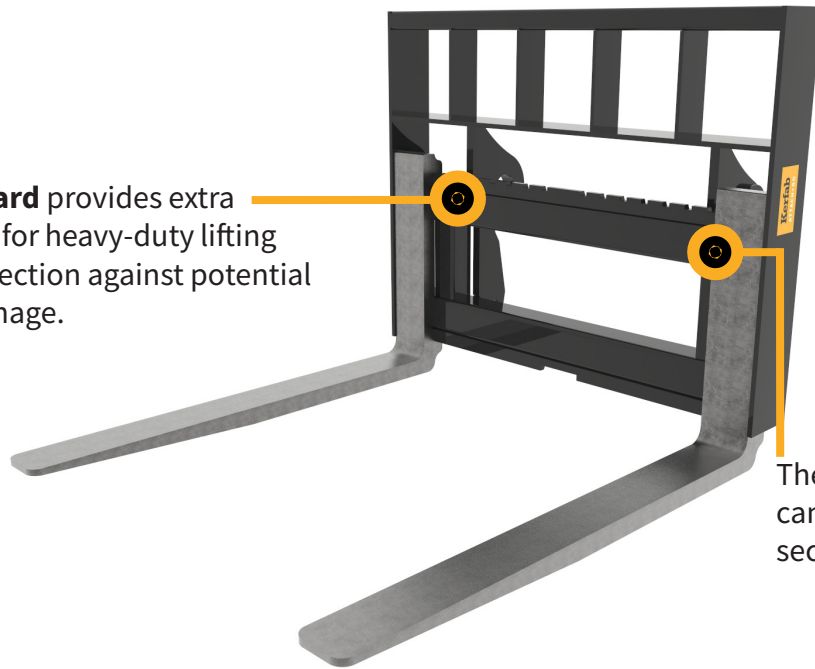


# Skid Steer ITA Pallet Fork

**Load guard** provides extra strength for heavy-duty lifting and protection against potential load damage.



The distance between the tines can be **easily adjusted** and securely locked into place.

## Fast Facts

- + 12 Months Manufacturers Warranty
- + Customisable to exact specifications
- + Quick Hitch Compatible

## About

- + The Skid Steer ITA Pallet Fork is designed to efficiently and safely transport pallets.
- + Ideal for use in the agricultural and civil construction industries.
- + Has a capacity range of 1500kg to 2500kg, making it suitable for a range of applications.
- + Its robust design, features heavy duty drop forged tines with excellent strength and durability.
- + Open back frame enables maximum visibility and increase operational safety.
- + High backrest increases stability while transporting loads.

Kerfab's range of Skid Steer ITA Pallet Forks are available in a range of widths, capacities and machine sizes. Below is a list of our most popular sizes. **Custom Solutions Available**

## Product Specs

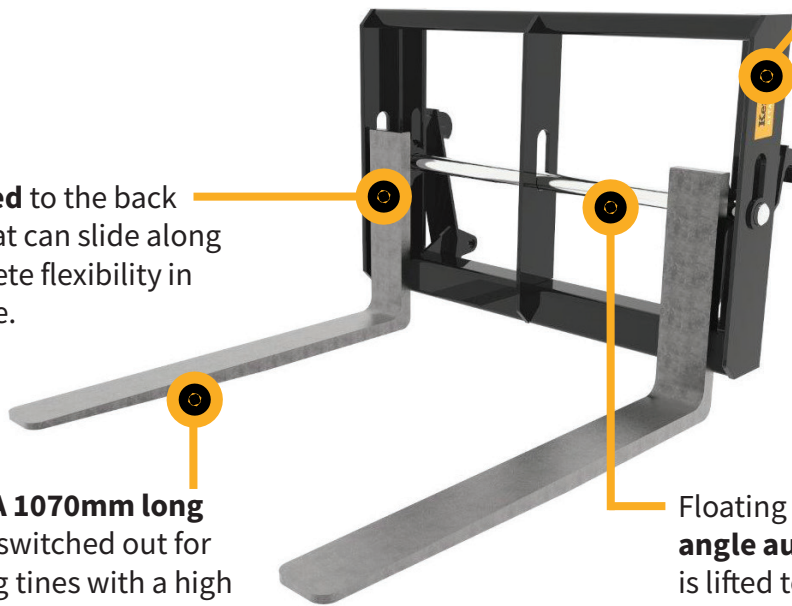
Part No.	Capacity kg	Width mm	Weight kg
APF150	1500	1200	195
APF250	2500	1200	220

## Skid Steer Floating

## Pallet Fork

**Tines are connected** to the back frame via a loop that can slide along the shaft for complete flexibility in matching pallet size.

**Standard ITA 1070mm long tines** can be switched out for 1220mm long tines with a high back frame.



**Open back frame** allows clear vision of pallet while inserting and lifting.

Floating tine design **adjusts fork angle automatically** as the pallet is lifted to keep it horizontal.

### Fast Facts

- + 12 Months Manufacturers Warranty
- + Customisable to exact specifications
- + Floating tines allow for quick adjustment
- + Various tine lengths

Kerfab's range of Skid Steer Floating Pallet Forks are available in a range of widths, capacities and machine sizes. Below is a list of our most popular sizes. **Custom Solutions Available**

### About

- + The Skid Steer Adjustable Floating Pallet Fork is a highly versatile, multi-purpose lifter which can adapt to fit any pallet.
- + Simply remove the locking pin to adjust tines to your desired width.
- + Built for both strength and functionality, it heavy duty drop forged tines offer a lifting capacity ranging from 1000kg - 2500kg.
- + Open back frame enables maximum visibility and increase operational safety.
- + Quick hitch compatible.

### Product Specs

Part No.	Capacity kg	Tine Length mm	Weight kg
FAPF100	1000	1070	200
FAPF150	1500	1070	235
FAPF250	2500	1070	262