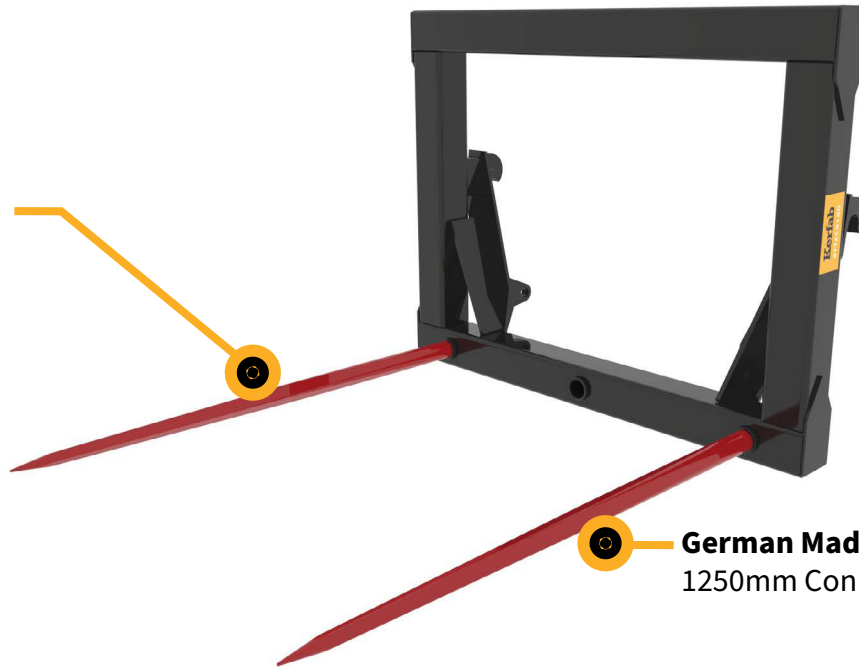


## Round Bale Fork

**Bright red tines**  
for increased  
visibility and  
improved safety



**German Made SHW**  
1250mm Conus 2 Tines

### Fast Facts

- + 12 Month Manufacturers Warranty
- + Customisable to exact specifications
- + Additional tine in top rail available

### Product Specs

Part Number	Conus 2 Tines inc.	Tine bushes in base	Weight kg
>> RHF2T	2	2	96

### About

- + The Round Bale Fork is one of Kerfab's most popular attachments
- + Ideal for transporting and stacking round bales
- + Height of 0.8m prioritises manoeuvrability and mobility
- + Versatile tines can either pierce the bale on the flat side or slide under the bale to support it, preventing bale movement or rotation as it is being carried
- + Option of a third tine on the top section to eliminate possibility of rotation
- + Kerfab's range of hay forks have been designed to maximise visibility for increased safety
- + Compatible with ag loaders and telehandlers
- + Quick hitch compatible