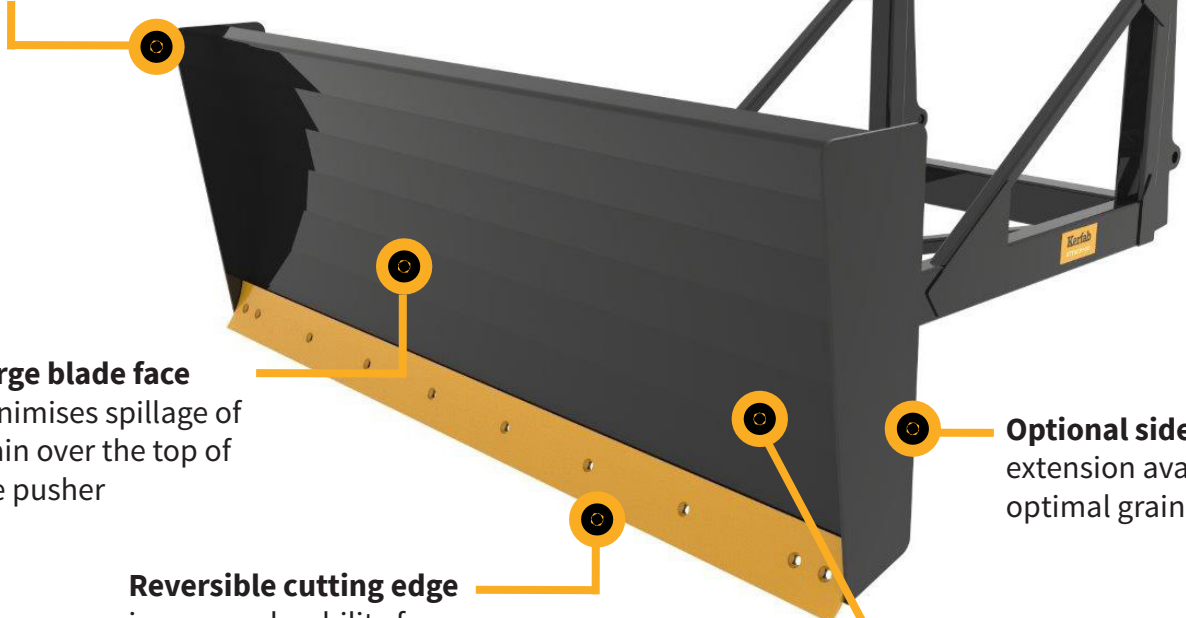


## Grain Pusher Blade

Removable sides offer greater flexibility for manoeuvring within sheds



**Large blade face** minimises spillage of grain over the top of the pusher

**Reversible cutting edge** increases durability for an extended service life

**Optional side wings** or reach extension available to achieve optimal grain retention

**Smooth, rounded blade** surface prevents grains from getting trapped

### Fast Facts

- + 12 Month Manufacturers Warranty
- + Customisable to exact specifications
- + Variable widths depending on application
- + Various lengths available

Kerfab's range of Grain Pusher Blade are available in a range of widths, capacities, and machine sizes. Below is a list of our most popular sizes.

### Custom Solutions Available

### About

- + The Grain Pusher Blade is a light duty attachment ideal for pushing grain up in storage sheds to fully optimise storage space
- + An essential tool for increasing shed organisation and maximising capacity to achieve the best possible return on investment (ROI) on your grain storage infrastructure
- + A range of standard widths available from 3m – 3.5m
- + Kerfab can custom build a blade to almost any width or length
- + Compatible with wheel loaders and telehandlers
- + Quick hitch compatible

### Product Specs

Part Number	Width mm	Height mm	Weight kg
LGPB30	3000	900	895
LGPB35	3500	900	975
Optional: 6m extension on blade. Optional: Side wing.			