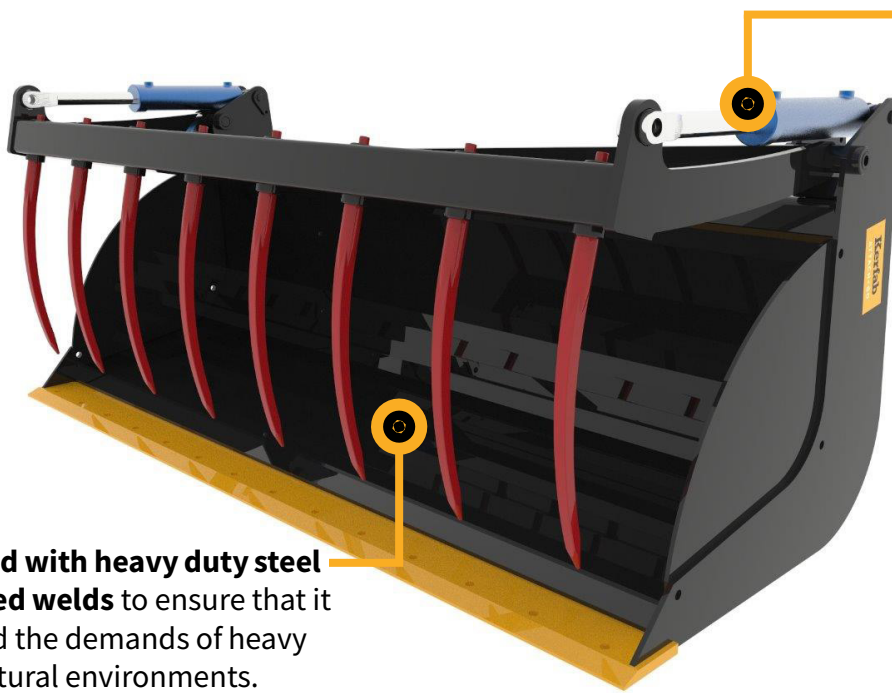


# Silage Bucket Grapple



The grapple arms are hydraulically moved, allowing the operator to **easily adjust the angle and position of the bucket.**

**Manufactured with heavy duty steel and reinforced welds** to ensure that it can withstand the demands of heavy use in agricultural environments.

## Fast Facts

- + 24 Months Manufacturers Warranty
- + Ideal complement to your feeder wagon
- + Customisable to exact specifications

Kerfab's range of Silage Bucket Grapples are available in a range of widths, capacities and machine sizes. Below is a list of our most popular sizes. **Custom Solutions Available**

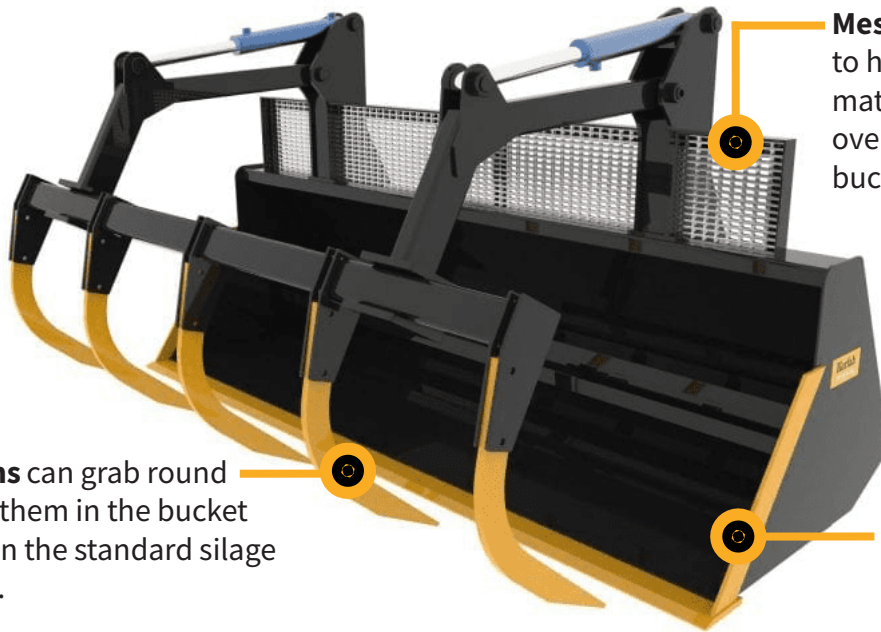
## About

- + Kerfab's Silage Bucket Grapple features sharp tines to help you penetrate through silage efficiently and ensures minimal waste.
- + Its heavy duty design makes it suitable for handling large volumes of silage with ease.
- + The built-in grapple arms provide added stability and control when transporting the load.
- + Due to its versatility it can be used for a range of applications including loading and unloading silage, maneuvering heavy loads for storage and scooping precision amounts of silage.
- + Quick hitch compatible.

## Product Specs

Part Number	Width mm	Weight kg	Tine Qty
SBG18	1800	462	8
SBG21	2100	540	10
SBG24	2400	617	12

# High Pivot Silage Bucket Grapple



**High pivot arms** can grab round bales and hold them in the bucket more easily than the standard silage bucket grapple.

**Mesh backing** enables you to handle larger amounts of material by stopping any overflowing behind the bucket.

Side cutting edge provides **greater force** when digging into dense silage piles.

## Fast Facts

- + 24 Months Manufacturers Warranty
- + Compatible with Loaders, Tractors and Telehandlers
- + Hydraulically Operated

## About

- + The High Pivot Silage Bucket Grapple is designed to efficiently move grass, maize, bales and other similar commodities.
- + Short, thick 20mm tines make this attachment ideal for handling larger objects without bending or breaking.
- + Various widths and capacities available up to 2.4 meters wide and 2.1m3 capacity.
- + Manufactured from GR350 steel
- + The grapple arms are hydraulically moved, allowing operators to easily adjust the angle and position of the bucket.
- + Quick Hitch Compatible.

Kerfab's range of High Pivot Silage Bucket Grapples are available in a range of widths, capacities and machine sizes. Below is a list of our most popular sizes. **Custom Solutions Available**

## Product Specs

Part Number	Width mm	Capacity m3	Weight kg
HPBSG18	1800	1.56	450
HPSBG21	2100	1.9	560
HPSBG24	2400	2.1	600

# Silage Shark Bucket Grapple



## Fast Facts

- + 24 Months Manufacturers Warranty
- + Compatible with Telehandlers and Ag Loaders
- + Customisable to exact specifications

## About

- + Kerfab's Silage Shark Bucket Grapple is a multi-purpose attachments as it can be used to handle various feed commodities and silage
- + The number of tines that come fitted depends on the size of the attachment.
- + The cutting edge combined with the unique curved profile on the side, enables greater efficiency when picking up materials.
- + Bucket is 2.4m wide, however the removable side plate allows the bucket to handle much larger and bulkier items.
- + Quick Hitch compatible

Kerfab's range of Silage Shark Bucket Grapple are available in a range of widths, capacities and machine sizes. Below is a list of our most popular size. **Custom Solutions Available**

## Product Specs

Part Number	Width mm	Weight kg	SAE Capacity m3
TSBG2418	2400	595	1.80
TSBG2424	2400	895	2.40