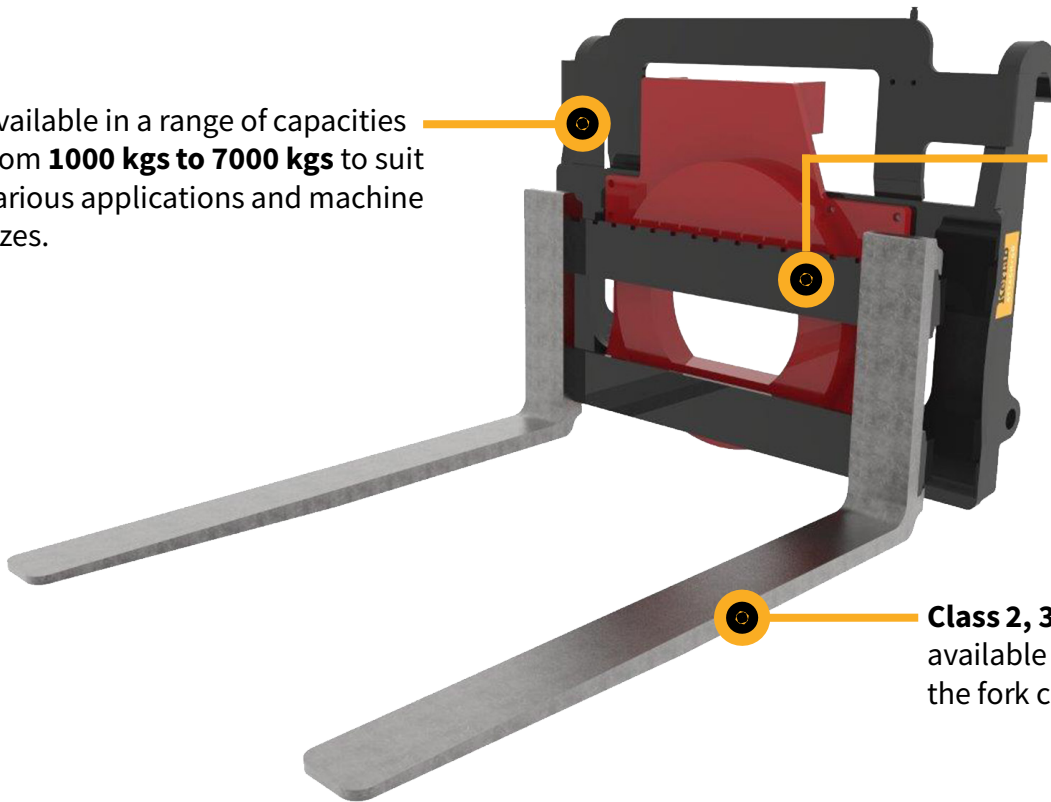


Pallet Fork Rotator

Available in a range of capacities from **1000 kgs to 7000 kgs** to suit various applications and machine sizes.

The tines are **fully adjustable** across the width of the carriage.

Class 2, 3 or 4 tines available depending on the fork capacity.



Fast Facts

- + 24 Months Manufacturers Warranty
- + Various tine lengths available
- + Australian Designed and Made

Kerfab's range of Pallet Fork Rotator are available in a range of widths, capacities and machine sizes. Below is a list of our most popular sizes. **Custom Solutions Available**

Product Specs

Part Number	Width mm	Weight kg	ITA Class	Capacity kg
PRC8D	1000	230	2	1000
PRC22D	1000	230	2	2200
PRC32D	1150	325	3	3200
PRC40D	1300	415	3	4000
PRC55D	1300	645	4	5500
PRC70D	1750	1135	4	7000

About

- + The Kerfab Pallet Fork Rotator is a versatile and high-performing attachment designed to enhance efficiency across a range of industries.
- + Its ability to rotate loads offers significant advantages in applications that demand speed, safety, and spatial efficiency.
- + Allows operators to manoeuvre materials with ease, especially in confined spaces.
- + Various capacities available from 1000 kgs to 7000 kgs.
- + Built for all industries